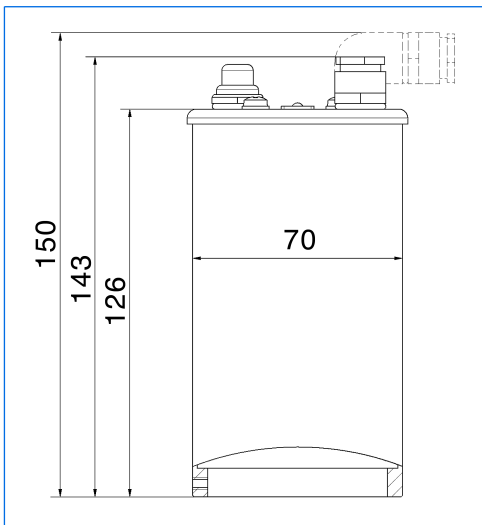


# Sightglass light fittings

in stainless steel for sterile applications in safe areas, series KLR A / KLR A LED, for mounting onto metal fused sightglasses



Sightglass light fitting type KLR 20 HDA Sp, 20 W, 115 V, with built-in momentary push-button "D", on metal fused sightglass for Triclamp fittings, DN 100



Dimensions

Branch office / exclusive agent:

All dimensions in mm. Subject to changes without preliminary notice.



The sightglass light fittings KLR A / KLR A LED of the series STERI-LINE **entirely in stainless steel** offer the following main features:

- Very interesting prices due to high series production
- Only **one** size for use on different sightglass diameters
- Easiest mounting
- **Brilliant and dazzle free illumination**, even of difficult media
- **Extremely small dimensions providing high lighting power**
- Quick change of the light source **without** necessity to demount the installed luminaire!
- Types KLR 05, 10 and 20 H(D)A available with built-in transformer

The series KLR A LED additionally offers the following advantages:

- State-of-the-art LED technology
- Insensitive to vibrations
- Suitable for continuous operation
- **Cold light outlet**
- **Very long life span** (up to approximately 20'000 - 40'000 operating hours)

#### Application:

On metal fused sightglasses and flanges in sterile and aseptic areas, mainly in the pharmaceutical, biotechnological and food processing and cosmetic industries.

#### Operating conditions:

**Independent** of internal vessel pressure and vacuum.

#### Construction:

Housing in **stainless steel**. Cable gland Pg 9, vertical. On request with rectangular cable gland ("K2"). Built-in reflector (series KLR A). Built-in push-button for momentary operation "D" (types KLR A 05 / 10 / 50 / KLR A LED also available **without**, on request).

#### Technical data:

Type	KLR 05 HDA <sup>1</sup>	KLR 10 HDA <sup>1</sup>	KLR 20 HDA	KLR 50 HDA <sup>1</sup>	KLR 100 HDA	KLR DA LED-S <sup>1</sup>	KLR DA LED-F <sup>1</sup>
Power	5 W	10 W	20 W	50 W	100 W	7 W	
Terminal voltage <sup>2</sup>	36 / 42 / 115 / 240 V AC			12 / 24 V AC / DC	24 V AC / DC	230-240 V AC / DC	
Light source	Halogene			Halogene		Diodes "spot"	Diodes "flood"
Socket	G4			GY 6.35		GU10	GU10
Weight	0,95 kg			0,60 kg		0,65 kg	

<sup>1</sup> For the version **without** push-button, the correct type designation **omits** the "D".

<sup>2</sup> Transformers with 24 V secondary voltage in open design (IP 00) for mounting into control panels or switch boards as well as in closed version (IP 65) may be supplied for different primary voltages and power capacities.

#### Enclosure protection degree:

IP 65, dust and spray water tight, to EN 60529 / DIN VDE 0470 part 1.

#### Mounting:

The light fitting is put onto the adapter ring of the respective sightglass and fixed by means of a hexagonal socket cap screw. The sealing towards the sightglass is guaranteed by an O-ring being part of the adapter piece.

#### Important remarks:

Please indicate in case of order type and size (DN) of the sightglass on which the luminaire has to be mounted.

**In case of repeated use of the series KLR A within a short period, the temperature raise of the housing has to be observed!**

# MAX MÜLLER AG

PROCESS ILLUMINATION AND VISUAL OBSERVATION SYSTEMS

Hagmattstrasse 19 • CH - 4123 Allschwil / Switzerland

Telephone +41 61 487 92 92 • Telefax +41 61 487 92 99

www.maxmuellerag.com E-Mail: blt@maxmuellerag.com