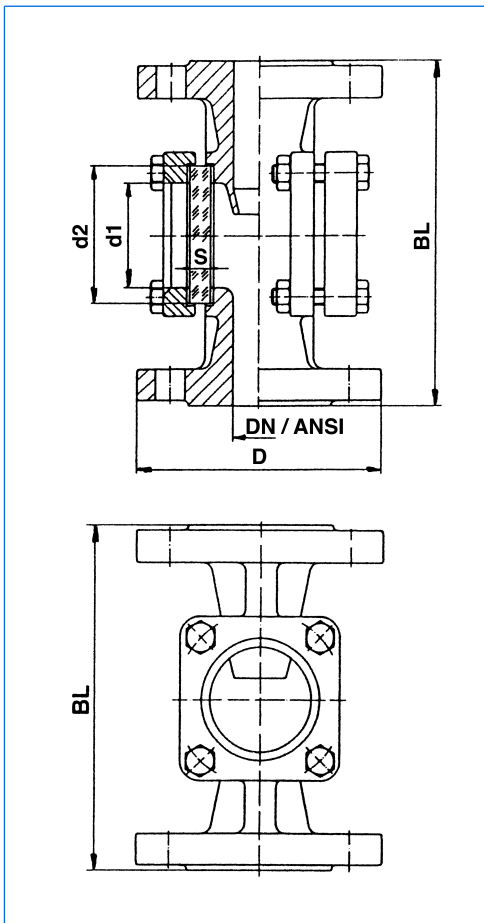


Flow indicators for pipelines with flanged ends for bolting to DIN and ANSI

Series FDG in grey cast
Series FDS in steel cast
Series FDE in stainless steel



Sight flow indicator, type FDE 50, with sightglass light fitting type FKEL 5 dH WM, Ex d IIC T6 Gb, Ex t IIC T80°C Db IP67, Ex II 2 G + D, 230 V, 5 W, with opal glass screen «M»



All dimensions in mm. Subject to changes without preliminary notice.

Application:

VETROLUX® sight flow indicators are used for the observation of a flow of liquid in tubes and pipelines. The serially built-in drop-nose makes smallest flow rates visible. Visibility may be considerably enhanced by combination with our proven light fittings for hazardous and safe areas. (Please see our respective leaflets).

Operating conditions:

Nominal pressure: PN 16 / 25 / 40 / PN 16 at 150 lbs / PN 40 at 300 lbs
Vacuum
Maximum temperature: 280 °C (150 °C with sodium silicate glass)

Standard materials:

Body material: Series FDG: GG 25 (max. PN 16 / 150 lbs)
Series FDS: GS-C 25
Series FDE: Stainless steel 1.4408
Cover flanges: Series FDG: GG 25 / RSt 37-2 (max. PN 16 / 150 lbs)
Series FDS: GS-C 25 / RSt 37-2
Series FDE: Stainless steel 1.4408 / 1.4301
Bolts: Series FDG / FDS: 4.6 / 5.6, zinked
Series FDE: A4-70
Glass discs: Borosilicate glass to DIN 7080 (Standard)
Sodium silicate glass to DIN 8902 (Option)
Gaskets product side: Graphite
cover side: KLINGERSil C4400
Other materials are available on request.

Mounting position:

Without restriction. The flux direction has to be taken into account.

Certificates:

To be supplied to DIN EN 10204 against extra charge.

Options:

- With flap
- With turbine
- With welding ends
- With heating jacket
- With sightglass light fittings

Ordering example:

1 piece VETROLUX® sight flow indicator with flanged ends, body in stainless steel 1.4408, nominal pressure 16 bar (PN 16), nominal diameter (DN) 80:
1 piece FDE 80-1.4408-16-Graphite-KLINGERSil C4400

Dimensions:

DN	ANSI	D			BL	d1	d2	S		
		DIN	ANSI 150 lbs	ANSI 300 lbs				16 bar / 150 lbs	25 bar	40 bar / 300 lbs
15	½"	95	89	95,2	130	32	45	10	10	10
20	¾"	105	98	117,3	150	32	45	10	10	10
25	1"	115	108	123,8	160	48	63	10	12	15
32	1¼"	140	118	133,4	180	48	63 ³	10	12	15
40	1½"	150	127	155,6	200	65	80	12	15	20
50	2"	165	152	165,1	230	80	100	15	20	25
65	2½"	185	178	190,5	290	80	100	15	20	25
80	3"	200	191	209,6	310	100	125	20	25	30
100	4"	220 (235) ¹	228 ²	254,0	350	125	150	25	30	35
125	5"	250 (270) ¹	254 ²	279,4	400	150	175	25	30	40
150	6"	285 (300) ¹	279	317,5	480	175	200	30 ⁴	35	50
200	8"	340(360/375) ¹	343 ²	381,0	600	175	200	30 ⁴	35	50

¹ D in () corresponding to PN 25 / 40 ² Not deliverable in GG 25 ³ Glass dimension in GG 25: ø 80x12

⁴ Only with glass discs from borosilicate to DIN 7080