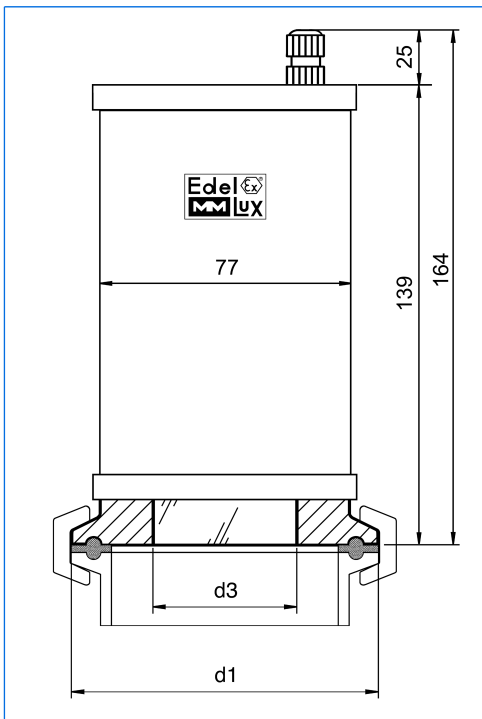


Hazardous sightglass light fittings from stainless steel

Series EdelEx 5 / 10 / 20 dH / EdelEx d LED for metal fused sightglasses for Triclamp fittings series metaClamp®



Sightglass light fitting, type EdelEx STERI-LINE 20 dH, 24 V, 20 W, Ex d IIC T4, Ex tD A21 IP65 T130°C, Ex II 2 G + D, on metal fused sightglass, DN 100



Dimensions with mounted sightglass light fitting type EdelEx STERI-LINE

All dimensions in mm. Subject to changes without preliminary notice.

Application:

On metal fused sightglasses for Triclamp fittings to DIN 32676 / ISO 2852 for the optimal illumination of small and pilot reactors as well as vessels for sterile and aseptic applications, mainly in the pharmaceutical, biotechnological, cosmetic and food processing industries. On demand also available for mounting on metal fused sightglasses for Triclamp fittings in aseptic version to DIN 11864-3.

Advantages:

- Brilliant and glare free illumination
- Extremely small dimensions
- For sterile applications
- High security
- Easy installation

Light fitting series EdelEx (LED) STERI-LINE (for use in hazardous areas):

Supply / power: *Halogene version (EdelEx STERI-LINE 5 / 10 / 20 dH):*
 5 or 10 W in 24, 36, 42, 115, 230, 240 V AC with integrated transformer
 or 12 V AC / DC without integrated transformer
 20 W in 12 or 24 V AC / DC without integrated transformer
LED version (EdelEx STERI-LINE d LED):
 2 W in 24 V AC / DC without integrated transformer
 5 W in 100 - 240 V AC / DC without integrated transformer

Housing: Stainless steel
 Protection mode: IP 65, dust and spray water tight to EN 60529 / DIN VDE 0470 part 1
 Ignition protection type: Ex d to EN 60079-0 / 60079-1, Ex tD A21 to 61241-0 / 61241-1
 Explosion group: IIC
 Temperature classes G / D: T4 / T130°C (10 and 20 W), T6 / T80°C (5 W and EdelEx d LED)
 T_a = - 20°C / + 40°C (T_a up to + 60°C on request)

ATEX:

Ex II 2 G + D

For more technical details see data sheet EdelEx 5 dH / 10 dH / 20 dH / EdelEx d LED

Metal fused sightglass:

Approvals:

A3 Standard for food processing

Technical data:

- Test base: DGRL 97 / 23 / EG, AD 2000 standards, DIN 7079-1 May 1999
- Materials to VdTÜV specifications and the respective DIN/EN standards
- Glass quality: Borosilicate glass to DIN 7080

Certificates:

- To be supplied against extra charge to DIN EN 10204

Operating conditions:

- Pressure: -1 to 6 / 10 / 16 bar (see table)

Temperatures:

Ring materials:	1.4462:	-30°C to +280°C
	2.4602:	-60°C to +300°C
	2.4610:	-60°C to +300°C

Dimensions:

Nominal diameter (DN)		d1	d3	Max. operating pressure (bar)
(mm)	(inch)			
25 / 32 / 40	1", 1½"	50,5	25	16
50	2"	64	30	16
-	2½"	77,5	34	16
65	3"	91	35	10
80	3½"	106	35	10
100	4"	119	35	10